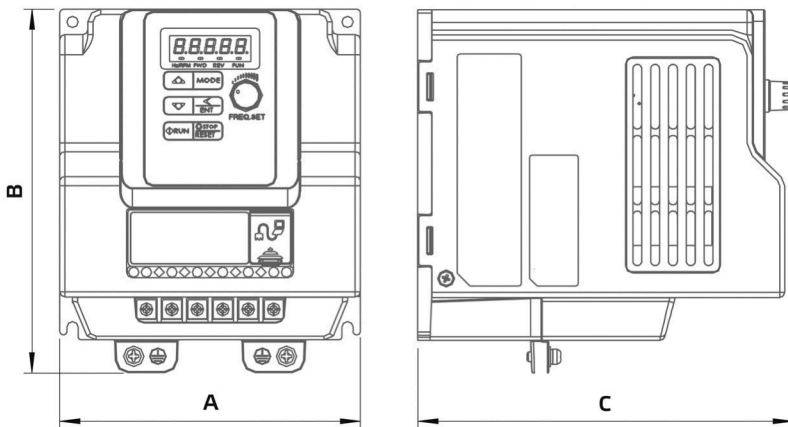


Datasheet

Product type: **Frequency converter**
 Product ID: 155156
 Product name: FU 22 26



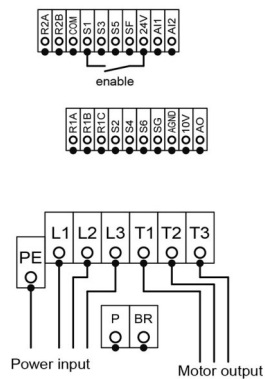
A	mm	198
B	mm	335
C	mm	235.2
D	mm	115
E	mm	315
Min. ambient temperature	°C	-10
Max. ambient temperature	°C	40
Max. operating current	A	5.2
Supply voltage	V	400V 3~ 50/ 60Hz
System protection		IP66
max. Rated operating capacity	kW	2.2
Weight	kg	6.1

- Output voltage 0 - 400 V 3~
- Stepless speed control
- Motor-/converter protection
- Integrated interference filter/class A
- Integrated Modbus interface
- Configurable status/fault relay
- Easy start-up
- Fire Mode Function (smoke extract fans)

Use:

- AL 400 D2 01
- AL 400 D2 F4 01

Wiring diagram:



Assembly:

