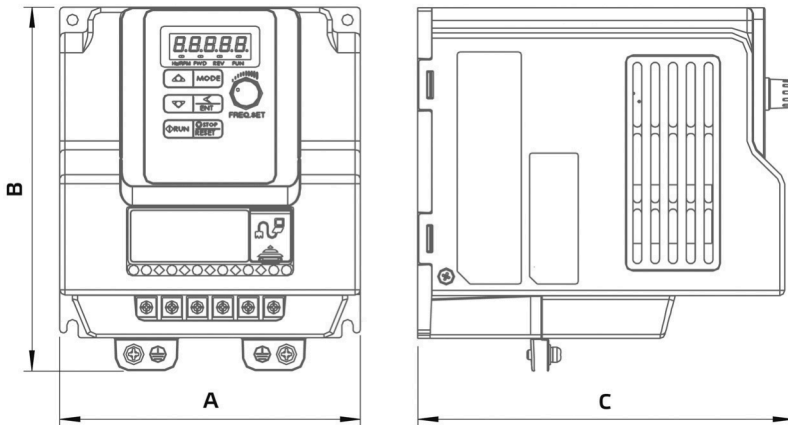


# Datasheet

Product type: **Frequency converter**  
 Product ID: 155161  
 Product name: FU 55 11

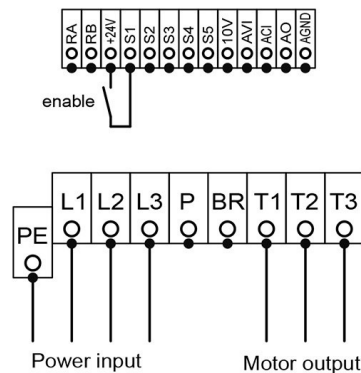


A	mm	129
B	mm	197.5
C	mm	148
D	mm	118
E	mm	177.6
Min. ambient temperature	°C	-10
Max. ambient temperature	°C	40
Max. operating current	A	13
Supply voltage	V	400V 3~ 50/60Hz
System protection		IP20
max. Rated operating capacity	kW	5.5
Weight	kg	2.7

- Output voltage 0 - 400 V 3~
- Stepless speed control
- Motor-/converter protection
- Integrated interference filter/class A
- Integrated Modbus or BacNet interface
- Configurable status/fault relay
- Easy start-up

Use:  
 · AL 450 D2 01

Wiring diagram:



Assembly:

