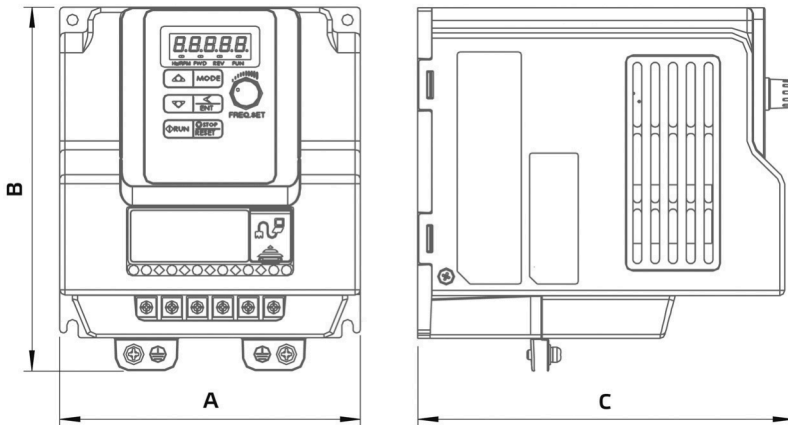


Datasheet

Product type: **Frequency converter**
 Product ID: 155165
 Product name: FU 075 50

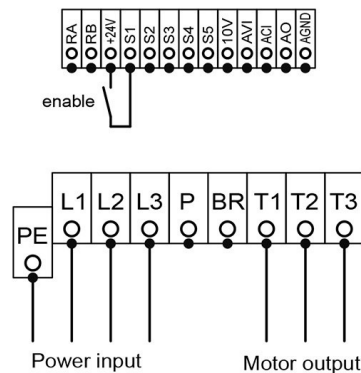


| | | |
|-------------------------------|----|-----------------|
| A | mm | 118 |
| B | mm | 144 |
| C | mm | 150 |
| D | mm | 108 |
| E | mm | 121 |
| Min. ambient temperature | °C | -10 |
| Max. ambient temperature | °C | 40 |
| Max. operating current | A | 2.3 |
| Supply voltage | V | 400V 3~ 50/60Hz |
| System protection | | IP20 |
| max. Rated operating capacity | kW | 0.75 |
| Weight | kg | 1.5 |

- Output voltage 0 - 400 V 3~
- Stepless speed control
- Motor-/converter protection
- Integrated interference filter/class A
- Integrated Modbus or BacNet interface
- Configurable status/fault relay
- Easy start-up

Use:
 · AL 450 D4 01

Wiring diagram:



Assembly:

