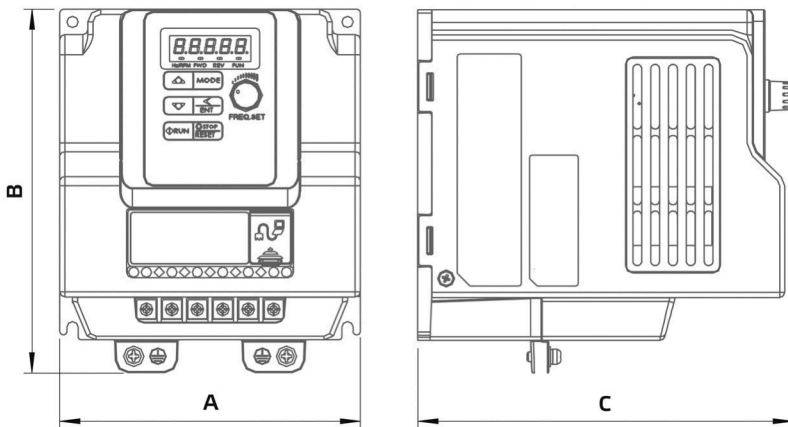


Datasheet

Product type: **Frequency converter**
 Product ID: 155166
 Product name: FU 075 51



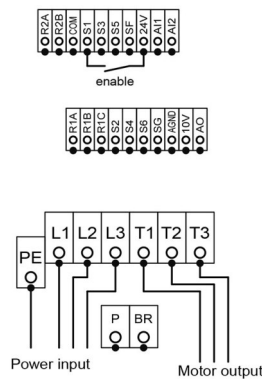
A	mm	150.8
B	mm	248.7
C	mm	200
D	mm	133.3
E	mm	214.2
Min. ambient temperature	°C	-10
Max. ambient temperature	°C	40
Max. operating current	A	2.3
Supply voltage	V	400V 3~ 50/ 60Hz
System protection		IP66
max. Rated operating capacity	kW	0.75
Weight	kg	3.2

- Output voltage 0 - 400 V 3~
- Stepless speed control
- Motor-/converter protection
- Integrated interference filter/class A
- Integrated Modbus interface
- Configurable status/fault relay
- Easy start-up
- Fire Mode Function (smoke extract fans)

Use:

- AL 450 D4 01
- AL 450 D4 F4 01

Wiring diagram:



Assembly:

