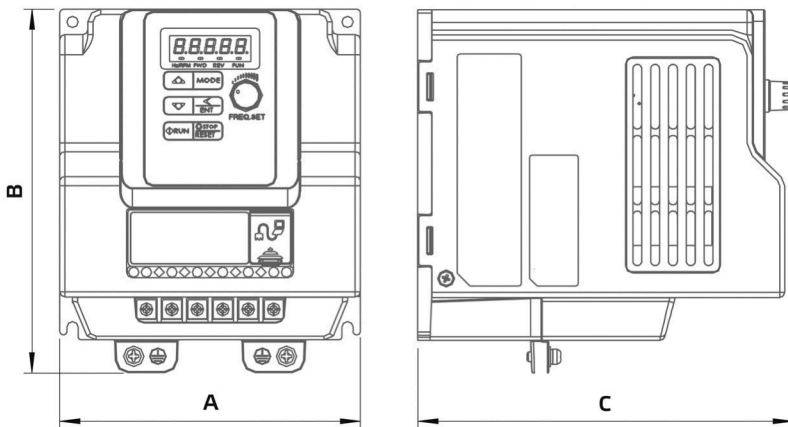


Datasheet

Product type: **Frequency converter**
 Product ID: 155179
 Product name: FU 55 16



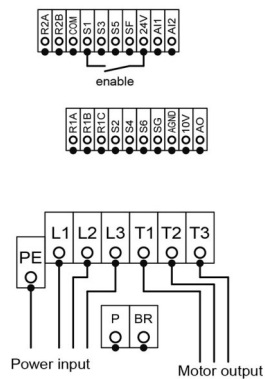
A	mm	222.8
B	mm	466.3
C	mm	266.5
D	mm	140
E	mm	440
Min. ambient temperature	°C	-10
Max. ambient temperature	°C	40
Max. operating current	A	13
Supply voltage	V	400V 3~ 50/ 60Hz
System protection		IP66
max. Rated operating capacity	kW	5.5
Weight	kg	12.7

- Output voltage 0 - 400 V 3~
- Stepless speed control
- Motor-/converter protection
- Integrated interference filter/class A
- Integrated Modbus interface
- Configurable status/fault relay
- Easy start-up
- Fire Mode Function (smoke extract fans)

Use:

- AL 630 D4 F4 01
- AL 630 D4 01

Wiring diagram:



Assembly:

