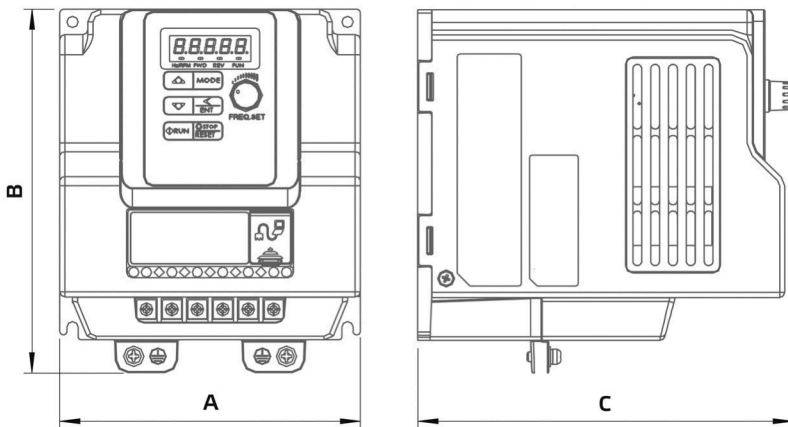


# Datasheet

Product type: **Frequency converter**  
 Product ID: 155181  
 Product name: FU 15 33



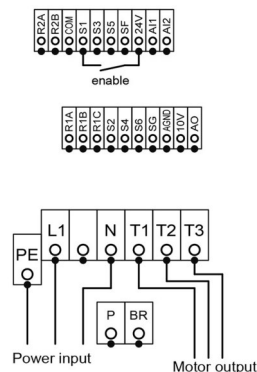
A	mm	198
B	mm	335
C	mm	235.2
D	mm	115
E	mm	315
Min. ambient temperature	°C	-10
Max. ambient temperature	°C	40
Max. operating current	A	7.5
Supply voltage	V	230V 1~ 50/60Hz
System protection		IP66
max. Rated operating capacity	kW	1.5
Weight	kg	6

- Output voltage 0 - 230 V 3~
- Stepless speed control
- Motor-/converter protection
- Integrated interference filter/class A
- Integrated Modbus interface
- Configurable status/fault relay
- Easy start-up
- Fire Mode Function (smoke extract fans)

Use:

- AL 630 D6 01
- AL 630 D6 F4 01

Wiring diagram:



Assembly:

