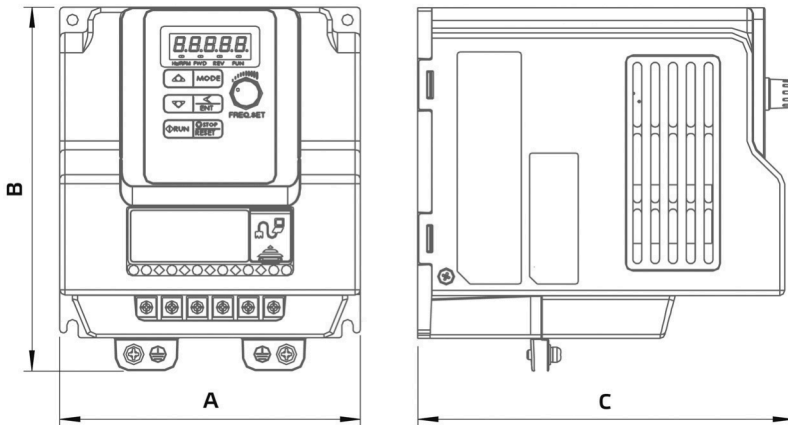


Datasheet

Product type: **Frequency converter**
 Product ID: 155184
 Product name: FU 75 04

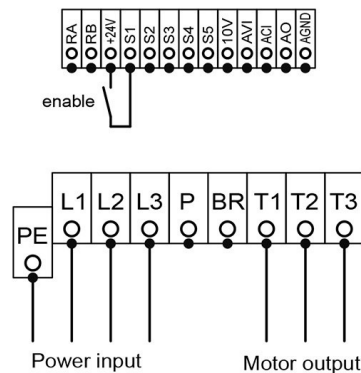


A	mm	187
B	mm	273
C	mm	190
D	mm	176
E	mm	249.8
Min. ambient temperature	°C	-10
Max. ambient temperature	°C	40
Max. operating current	A	17.5
Supply voltage	V	400V 3~ 50/60Hz
System protection		IP20
max. Rated operating capacity	kW	7.5
Weight	kg	6.3

- Output voltage 0 - 400 V 3~
- Stepless speed control
- Motor-/converter protection
- Integrated interference filter/class A
- Integrated Modbus or BacNet interface
- Configurable status/fault relay
- Easy start-up

Use:
 · AL 710 D4 01

Wiring diagram:



Assembly:

