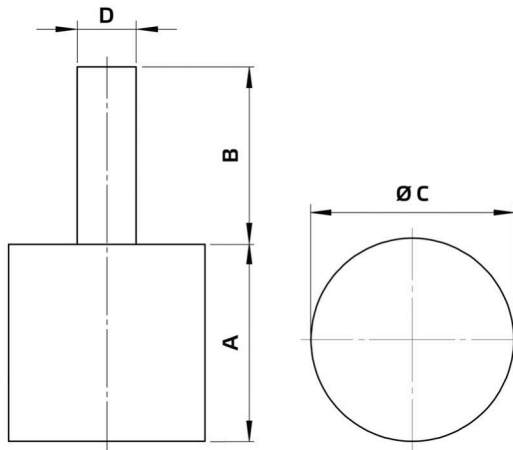


# Datasheet

Product type: **Vibration dampers**  
 Product ID: 155504  
 Product name: FSD 07



A	mm	25
B	mm	20
C	mm	30
D		M8
Weight	kg	0.3

- Made from natural rubber
- Hardness 55 Shore A
- 1x internal thread, 1x external thread

Use:

- AL 710 D6 01

Scope of supply:  
 4x rubber bumper  
 4x fender washer  
 4x lock washer  
 8x hexagon nut

155504\_pd\_k10001\_en\_20210913